

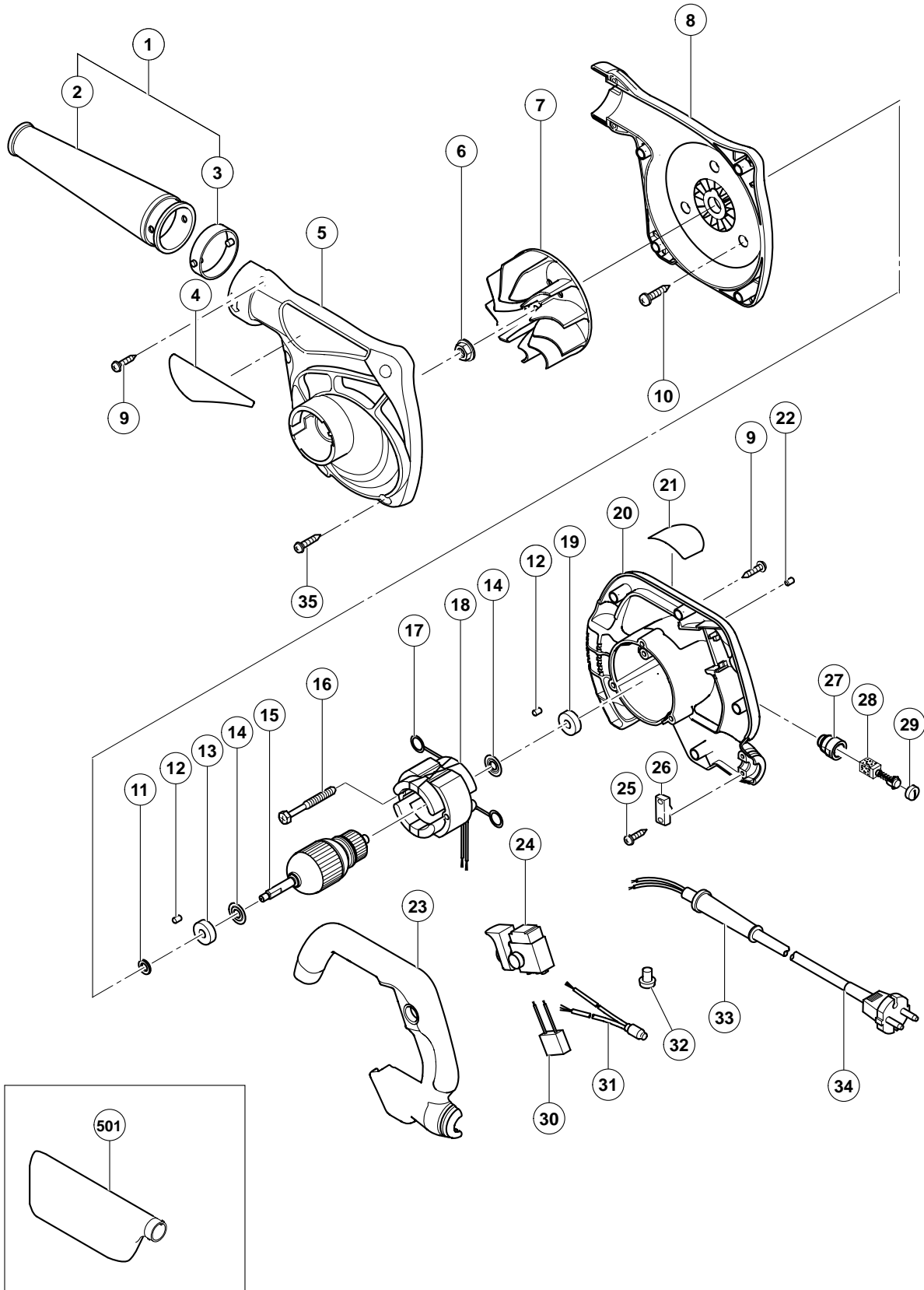
ELECTRIC TOOL PARTS LIST

■ BLOWER

2004 • 12 • 15

Model RB 40VA

(E1)



PARTS

RB 40VA

ITEM NO.	CODE NO.	DESCRIPTION	NO. USED	REMARKS
1	323-582	NOZZLE ASS'Y (A)	1	INCLUD. 2, 3
2		NOZZLE	1	
3	323-583	HOLDER (A)	1	
4		HITACHI LABEL	1	
5	323-573	CASING COVER	1	
6	323-572	U-NUT M6	1	
7	323-571	FAN	1	
8	323-570	CASING	1	
9	301-653	TAPPING SCREW (W/FLANGE) D4X20 (BLACK)	6	
10	305-507	TAPPING SCREW (W/FLANGE) D5X30	3	
11	930-079	WASHER	1	
12	931-701	BEARING LOCK	2	
13	608-DDW	BALL BEARING 608DDW	1	
14	982-631	WASHER (A)	2	
* 15	360-683C	ARMATURE 110V	1	
* 15	360-683E	ARMATURE 220V-230V	1	
* 15	360-683F	ARMATURE 240V	1	
16	980-864	HEX. HD. TAPPING SCREW D5X40	2	
17	930-630	BRUSH TERMINAL	2	
* 18	340-602K	STATOR ASS'Y 110V	1	INCLUD. 17
* 18	340-602E	STATOR ASS'Y 220V-230V	1	INCLUD. 17
* 18	340-602H	STATOR ASS'Y 220V-230V	1	INCLUD. 17 FOR GBR, SAF, EUROPE, AUT, SUI
* 18	340-602J	STATOR ASS'Y 240V	1	INCLUD. 17
19	608-DDW	BALL BEARING 608DDW	1	
20	323-576	HOUSING ASS'Y	1	INCLUD. 22, 27
21		NAME PLATE	1	
22	938-477	HEX. SOCKET SET SCREW M5X8	2	
23	324-054	HANDLE COVER	1	
24	323-086	SWITCH (1P PILLAR TYPE)	1	
25	984-750	TAPPING SCREW (W/FLANGE) D4X16	2	
26	960-266	CORD CLIP	1	
27	957-571	BRUSH HOLDER	2	
28	999-021	CARBON BRUSH (1 PAIR)	2	
29	931-266	BRUSH CAP	2	
* 30	930-039	NOISE SUPPRESSOR	1	EXCEPT FOR SYR, SIN
* 31	303-837	CHOKE COIL	2	EXCEPT FOR SYR, SIN
* 32	959-141	CONNECTOR 50092 (10 PCS.)	2	EXCEPT FOR SYR, SIN
33	307-217	CORD ARMOR D7.2	1	
* 34	500-409Z	CORD	1	(CORD ARMOR D7.2)
* 34	500-447Z	CORD	1	(CORD ARMOR D7.2) FOR SYR
* 34	500-423Z	CORD	1	(CORD ARMOR D7.2) FOR SIN
* 34	500-439Z	CORD	1	(CORD ARMOR D7.2) FOR NZL, AUS
* 34	500-435Z	CORD	1	(CORD ARMOR D7.2) FOR GBR (110V)
* 34	500-237Z	CORD	1	(CORD ARMOR D7.2) FOR GBR (230V)
35	304-035	TAPPING SCREW (W/FLANGE) D4X25 (BLACK)	4	

